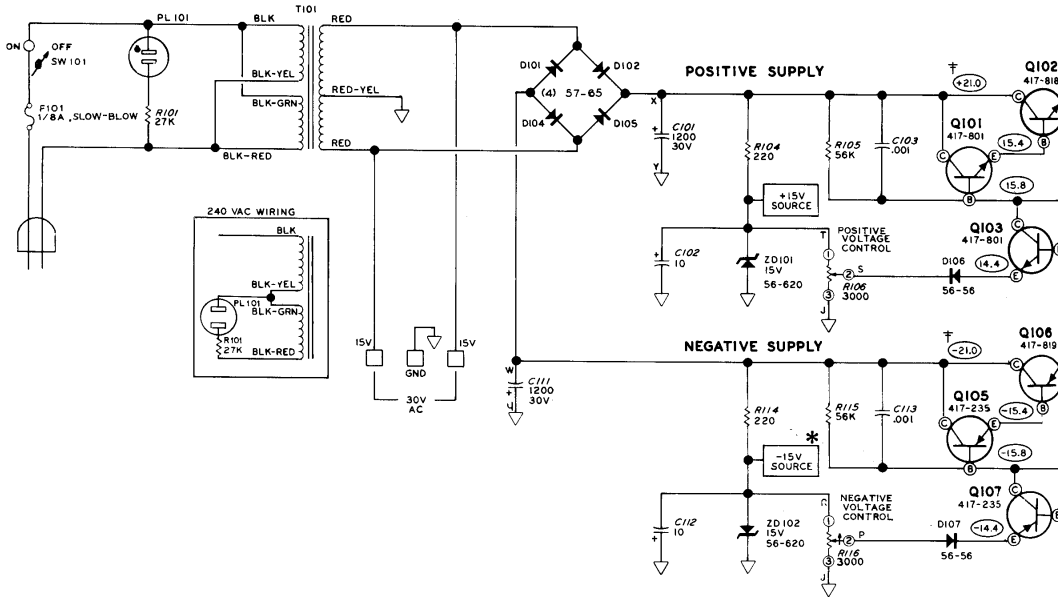
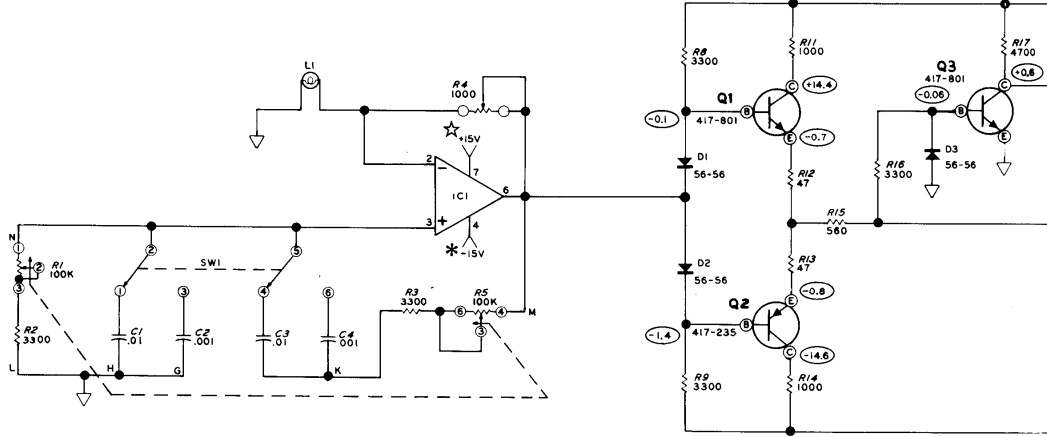
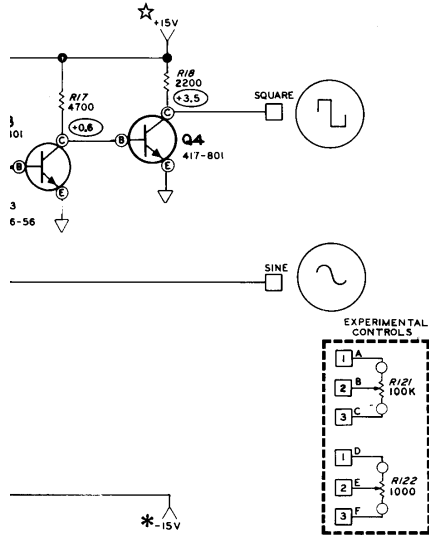


SIGNAL GENERATOR

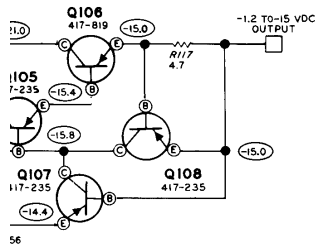
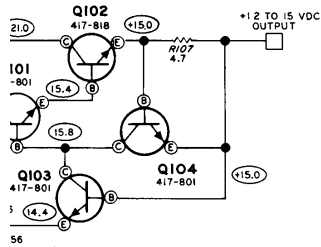




**SCHEMATIC OF THE
HEATHKIT®
ELECTRONIC DESIGN
EXPERIMENTER
MODEL ET-3100**

NOTES:

1. COMPONENT NUMBERS ARE IN THE FOLLOWING GROUPS:
 1 - 99 PARTS IN THE SIGNAL GENERATOR.
 100 - 199 PARTS IN THE POWER SUPPLIES AND TWO EXPERIMENTAL CONTROLS.
2. ALL RESISTORS ARE 1/2 WATT. RESISTOR VALUES ARE IN OHMS (K = 1000; M = 1,000,000).
3. ALL CAPACITOR VALUES ARE IN μ F.
4. ○ THIS SYMBOL INDICATES A DC VOLTAGE TAKEN WITH A HIGH IMPEDANCE VOLTMEETER FROM THE POINT INDICATED TO CHASSIS GROUND.
5. ☆ THIS SYMBOL INDICATES A CONNECTION TO THE +15 V SOURCE - NOT THE VARIABLE DC OUTPUT.
6. * THIS SYMBOL INDICATES A CONNECTION TO THE -15 V SOURCE - NOT THE VARIABLE DC OUTPUT.
7. POWER SUPPLY VOLTAGES WERE TAKEN WITH BOTH OUTPUTS ADJUSTED TO 15 VOLTS.
8. ⚡ THIS SYMBOL INDICATES A VOLTAGE THAT WILL VARY AS THE LOAD AND LINE VOLTAGE VARY.
9. ↻ THIS SYMBOL INDICATES THE CLOCKWISE ROTATION OF A CONTROL.



**Copyright © 1976
Heath Company
All Rights Reserved
Printed in the United States of America**

Part of 595-1734-02